



# SEALPACK<sup>TM</sup> SQUARE



## A MODERN SQUARE FILM SEAL CONTAINER

A modern design with a reduce foot print. Ideal for deli products requiring high pressure pasteurization.

### CERTIFICATIONS

The raw materials used are tested according to ASTM standards for polymers, are approved for food contact and meet FDA (Food and Drug Administration, USA) and HPB (Health Protection Branch, Canada) regulations.



### MINIMUM ORDERS AND INFORMATION

For details on minimum order quantities or for any other additional information, please contact IPL customer care at 1-800-463-0270 or visit our web site at [www.ipl-plastics.com](http://www.ipl-plastics.com).

### KEY FEATURES AND BENEFITS

- Less resin than our existing square or round series
- Space saving vs. same size round containers
- Better shelf appeal through differentiation
- Added branding value through photo quality IML graphics
- Microwave and dishwasher safe

### MATERIAL

Containers, lids and IML labels are made of 100% recyclable polypropylene (PP).



### DECORATION AVAILABLE

- **Container**
  - 3 sided IML diaper
  - 12oz. 5 sided IML diaper (other sizes possible)
- **Lid**
  - Full IML

### COLOR CODE

BASE COLORS	STANDARD COLORS	OTHER COLORS
Natural 000	Black 099	Available upon request
White 001	Yellow 012	
Clear 002	Orange 021	
	Red 485	
	Green 377	
	Blue 293	

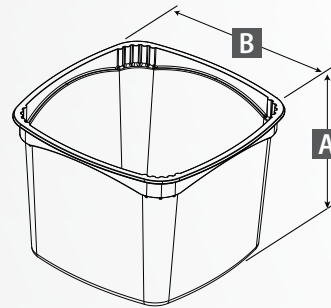


Our containers are reusable and 100% recyclable because at IPL, we care about the environment.



CONTAINERS

PRODUCT CODE	MODEL	CAPACITY UNDER LID		APPROX. WEIGHT		A OVERALL HEIGHT		B OVERALL WIDTH		ITEMS PER BOX	BOXES PER PALLET	ITEMS PER PALLET	ITEMS PER 53 FT. TRUCKLOAD
		US oz.	ml	oz.	g	in.	mm	in.	mm				
23530	12 oz. / 350 ml	15.2	450	0.44	12.5	2.35	59.89	4.17	105.94	1,120	16	17,920	358,400
25030	16 oz. / 500 ml	18.8	556	0.54	15.4	2.92	74.24	4.17	105.94	920	16	14,720	309,120
21150	32 oz. / 1 L	35.8	1050	0.86	24.5	2.92	74.17	5.72	145.44	384	20	7,680	154,920
21550	48 oz. / 1.5 L	52.7	1560	1.27	36.0	4.31	109.63	5.72	145.44	288	20	5,760	119,070



LIDS

PRODUCT CODE	MODEL - ASSOCIATED CONTAINERS	APPROX. WEIGHT		OVERALL HEIGHT		OVERALL WIDTH		ITEMS PER BOX	BOXES PER PALLET	ITEMS PER PALLET
		oz.	g	in.	mm	in.	mm			
20130	12 oz. / 350 ml, 16 oz. / 500 ml	0.20	5.6	0.55	14.17	4.20	106.88	1,512	30	45,360
20150	32 oz. / 1 L, 48 oz. / 1.5 L	0.57	16.2	0.77	19.69	5.80	147.40	720	25	18,000

RECOMMENDATIONS

Handling conditions vary from customer to customer. We recommend validating your processes (filling, conveying, warehousing and any others that might affect the purchased part) prior to use. Product usage temperature is between -9.4°F (-23°C) and 179.6°F (82°C) depending on resin grade.

WARRANTIES

- Some chemicals can affect the integrity of the product. Any product requiring a Safety Data Sheet (SDS) has to be submitted and approved by IPL. If buyer fails to adhere to this clause, the related product guarantees will be void.
- Specifications may vary slightly over time. Please contact your IPL representative to ensure you have the most recent information.
- The information presented herein was prepared at IPL Inc. by qualified technical personnel. To IPL's knowledge, it is true and accurate. However, the information and recommendations are provided for these products with the understanding that the purchaser or user will independently determine that the product is suitable for the intended use, and that such use, complies with all applicable laws and regulations. The data represents typical values submitted only for the user's information and consideration and does not constitute a warranty of any kind.

