



# TRUSTPACK™



## SAFETY, EASE OF USE AND ADDED BRANDING VALUE

A tamper-evident system that offers a unique integrity indicator, increasing product safety while adding shelf appeal. Ideal for a wide range of application such as dairy, deli, confectionary, nutritional supplements, detergents, etc.

## CERTIFICATIONS

The raw materials used are tested according to ASTM standards for polymers, are approved for food contact and meet FDA (Food and Drug Administration, USA) and HPB (Health Protection Branch, Canada) regulations.



## MINIMUM ORDERS AND INFORMATION

For details on minimum order quantities or for any other additional information, please contact IPL customer care at 1-800-463-0270 or visit our web site at [www.ipl-plastics.com](http://www.ipl-plastics.com).

## KEY FEATURES AND BENEFITS

- Intuitive single-motion opening using the pull-tab on the lid
- Easy handling with built-in handles
- Stable in a stack
- Innovative Trustpack tamper-evident system and film-sealable container
- Up to 40% more containers on a pallet than with round containers
- Added branding value through photo quality IML graphics
- Microwave and dishwasher safe

## MATERIAL

Containers, lids and IML labels are made of 100% recyclable polypropylene (PP).



## DECORATION AVAILABLE

- **Container:**  
IML 1 panel, 2 panels or full wrap
- **Lid:**  
Full IML

## COLOR CODE

BASE COLORS	STANDARD COLORS	OTHER COLORS
Natural 000	Black 099	Available upon request
White 001	Yellow 012	
Clear 002	Orange 021	
Black 099 (lids only)	Red 485	
	Green 377	
	Blue 293	



Our containers are reusable and 100% recyclable because at IPL, we care about the environment.



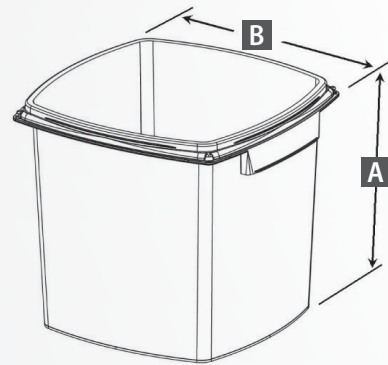


### CONTAINERS

PRODUCT CODE	MODEL	CAPACITY UNDER LID		APPROX. WEIGHT		A OVERALL HEIGHT		B OVERALL WIDTH		ITEMS PER BOX	BOXES PER PALLET	ITEMS PER PALLET	ITEMS PER 53 FT. TRUCKLOAD
		US oz.	L	oz.	g	in.	mm	in.	mm				
22064	64 oz. / 2 L	74.13	2.19	2.31	65.6	4.94	125.58	6.65	168.91	150	21	3,150	74,025 <sup>†</sup>
										109	3	3,276	75,348 <sup>††</sup>
22564	84 oz. / 2.5 L	88.59	2.62	2.75	78	5.90	149.86	6.65	168.91	144	21	3,024	71,064 <sup>†</sup>
										105	3	3,150	74,025 <sup>††</sup>

† Small box

†† Bundle



### LIDS

PRODUCT CODE	MODEL - ASSOCIATED CONTAINERS	APPROX. WEIGHT		OVERALL HEIGHT		OVERALL WIDTH		ITEMS PER BOX	BOXES PER PALLET	ITEMS PER PALLET
		oz.	g	in.	mm	in.	mm			
20164	Fits all sizes of container	0.78	22	0.37	9.53	6.48	164.59	600	28	16,800
20163*	Fits all sizes of container	0.74	21	0.56	14	6.47	164	636	28	17,808

\* NEW LID, FILM SEAL VERSION

### RECOMMENDATIONS

Handling conditions vary from customer to customer. We recommend validating your processes (filling, conveying, warehousing and any others that might affect the purchased part) prior to use. Product usage temperature is between -9.4°F (-23°C) and 179.6°F (82°C) depending on resin grade.

### WARRANTIES

- Some chemicals can affect the integrity of the products. Any product requiring a Safety Data Sheet (SDS) has to be submitted and approved by IPL. If buyer fails to adhere to this clause, the related product guarantees will be void.
- Specifications may vary slightly over time. Please contact your IPL representative to ensure you have the most recent information.
- The information presented herein was prepared at IPL Inc. by qualified technical personnel. To IPL's knowledge, it is true and accurate. However, the information and recommendations are provided for these products with the understanding that the purchaser or user will independently determine that the product is suitable for the intended use, and that such use, complies with all applicable laws and regulations. The data represents typical values submitted only for the user's information and consideration and does not constitute a warranty of any kind.

