



# Consumer Packaging

**FREEZEPACK SQUARE**  
1 GALLON / 4 QUART / 128 OZ. / 3.78L



FOOD MANUFACTURING AND PROCESSING

Enhance visibility  
while optimizing retail  
freezer shelf

# FreezePack Square

## Increase brand appeal with additional pails on a freezer shelf!



Our square pail packaging is designed to fit four across on a standard shelf which provides a consistent facing compared to round pails.

### Features

- Consistent front facing display
- Lid sidewall billboard for flavor
- Photo-quality IML decoration on pail and lid
- User friendly diagonal handle design

### Benefits

- 30% + more on a retail shelf vs round
- Efficient cube in consumer freezer
- 100% reusable and recyclable polyethylene (PE)
- Limit product "Out of stock"

### DESIGNED FOR PRIVATE LABEL BRANDING

This square pail was designed for the ice cream market to be efficient, consumer friendly and sustainable. The best one gallon square pail for the ice cream retail market and the most efficient packaging to optimize your freezer space.

### For every need

Frozen

Ice cream, frozen desserts, sorbet



**Mod.: 83861**  
1 Gal. - 4 Qts. - 128 oz. - 3.78L  
7.41" (W) X 7.41" (D) X 5.88" (H)

# FreezePack Square Specifications

www.iplglobal.com

1-800-647-0602

## CONTAINER

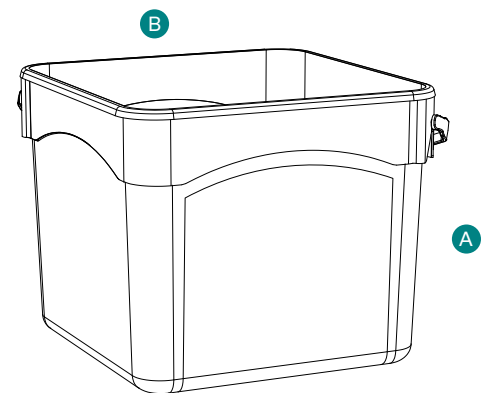
Product Code	Model	Decoration Options†		Under Lid Capacity		Approx. Weight		Overall Height	A	Overall Width	B	Items Per Box	Boxes Per Pallet	Items Per Pallet
		IML	Offset	US fl.oz.	ml	oz.	g	in.	mm	in.	mm			
83861	1 gallon / 3.78L	✓	3F	128	3,785	3.6	102	5.84	148.3	7.05	179.1	720	2	1,440

## LID

Product Code	Associated Containers Code	Decoration Options		Approx. Weight		Height		A	Width	B	Items Per Box	Boxes Per Pallet	Items Per Pallet
		IML	Offset	oz.	g	in.	mm	in.	mm				
80161		✓		1.23	35	0.57	14.6	7.15	181.6	300	20	6,000	

## Color Options

	Standard Colors	Other Colors
Pail	Natural	White
Lid	Natural	White
Handle	Blue	White



† 3: Front + Bottom + Back

## Certifications

The raw materials used are tested according to ASTM standards for polymers, are approved for food contact and meet FDA (Food and Drug Administration, USA) and HPB (Health Protection Branch, Canada) regulations. Our facilities and rigorous quality control processes have earned us certification under the following standards: ISO 9001, HACCP, IMS, SQF, C-TPAT & ISO 14001 registered management system.

## Recommendations

Handling conditions vary from customer to customer. We recommend validating your processes (filling, conveying, warehousing and any others that might affect the purchased part) prior to use. Product usage temperature is between -9.4°F (-23°C) and 179.6°F (82°C) depending on resin grade.

## Warranties

Some chemicals can affect the integrity of the product. Any product requiring a Safety Data Sheet (SDS) has to be submitted and approved by IPL. If buyer fails to adhere to this clause, the related product guarantees will be void.

Contact your IPL representative to ensure you have the most recent information.

The information presented herein was prepared at IPL Inc. by qualified technical personnel. To IPL's knowledge, it is true and accurate. However, the information and recommendations are provided for these products with the understanding that the customer will independently determine that the product is suitable for the intended use, and that such use, complies with all applicable laws and regulations. The data represents typical values submitted only for the user's information and consideration and does not constitute a warranty of any kind.